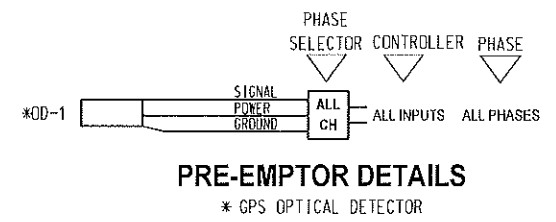
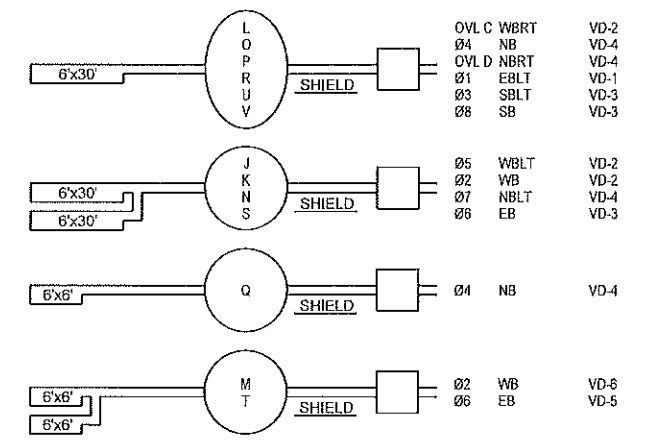
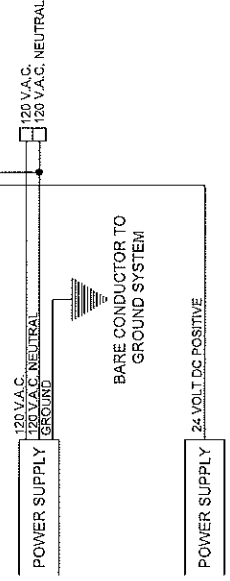
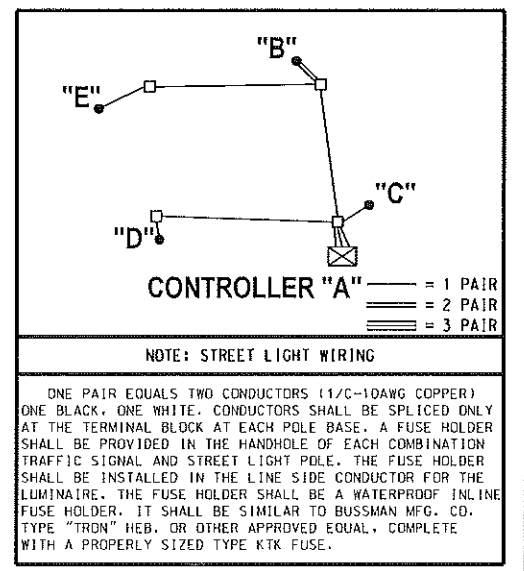


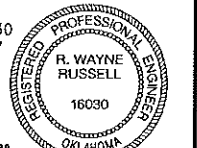
REVISIONS		
NO.	DESCRIPTION	DATE



Design RWR 02/16/17
 Drawn SB 02/16/17



R. Wayne Russell
 R. WAYNE RUSSELL, P.E. # 16030
 C.A. # 1160, RENEWAL 06-30-17
 2-16-17
 DATE
 Traffic Engineering Consultants, Inc.
 6000 S. Western, Suite 300 - Oklahoma City, OK 73139
 Ph: 405-720-7121, Fax: 405-720-9848, Web: www.tecoh.com



SIGNAL WIRING DIAGRAM
S.H. 9 & 12th AVE. S.E.

NOTE: IF JUMPERS OR OTHER CONNECTIONS ARE MADE IN THE FIELD DURING INSTALLATION, AND ARE ACCEPTED BY THE ENGINEER THIS SHOULD BE SHOWN ON THE WIRING DIAGRAM FOR FUTURE REFERENCE.